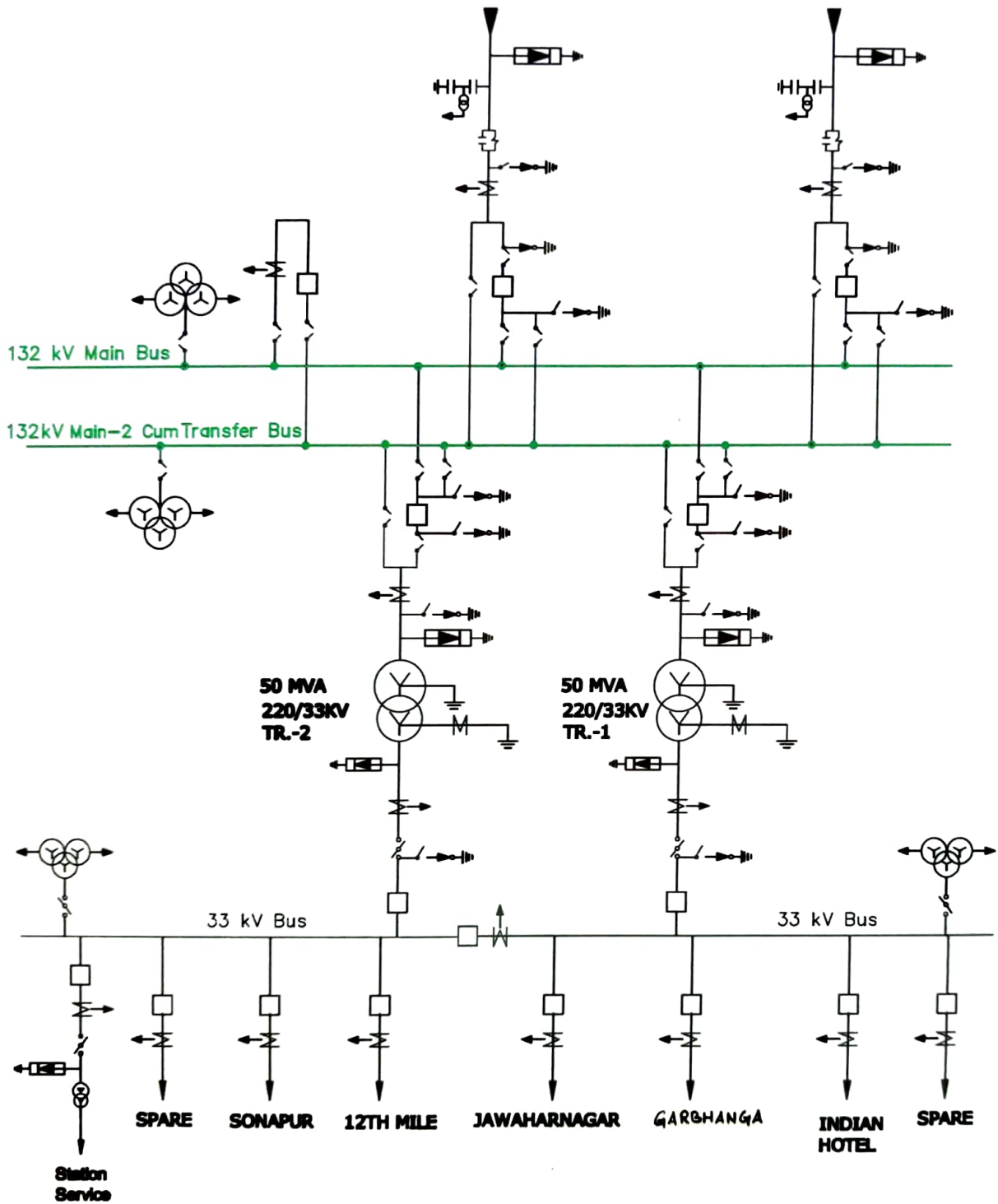


SARUSAJAI

SAMAGURI



EQUIPMENT LEGENDS

POWER TRANSFORMER	CIRCUIT BREAKER	ISOLATOR WITHOUT ID	ISOLATOR WITH ID	CURRENT TRANSFORMER	POTENTIAL TRANSFORMER	LIGHTNING ARRESTER	WAVE TRAP	GY
-------------------	-----------------	---------------------	------------------	---------------------	-----------------------	--------------------	-----------	----



ASSAM ELECTRICITY GRID CORPORATION LIMITED

220/33 KV, JAWAHARNAGAR SUBSTATION

KEY SINGLE LINE DIAGRAM OF 220/33 KV, JAWAHARNAGAR SUBSTATION

DRAWING NUMBER: AEGCL/JAWAHARNAGAR /SLD/30

Sheet 1 OF 1